

INSTALLATION INSTRUCTIONS

F-150 Pickup
T-FDFSES2-04S-PC-PW

TruckVault Inc
(800) 967-8107
www.truckvault.com



Tools Required:

Short Phillips screwdriver
9/16" wrench
5/8" wrench
T-24 Torx driver

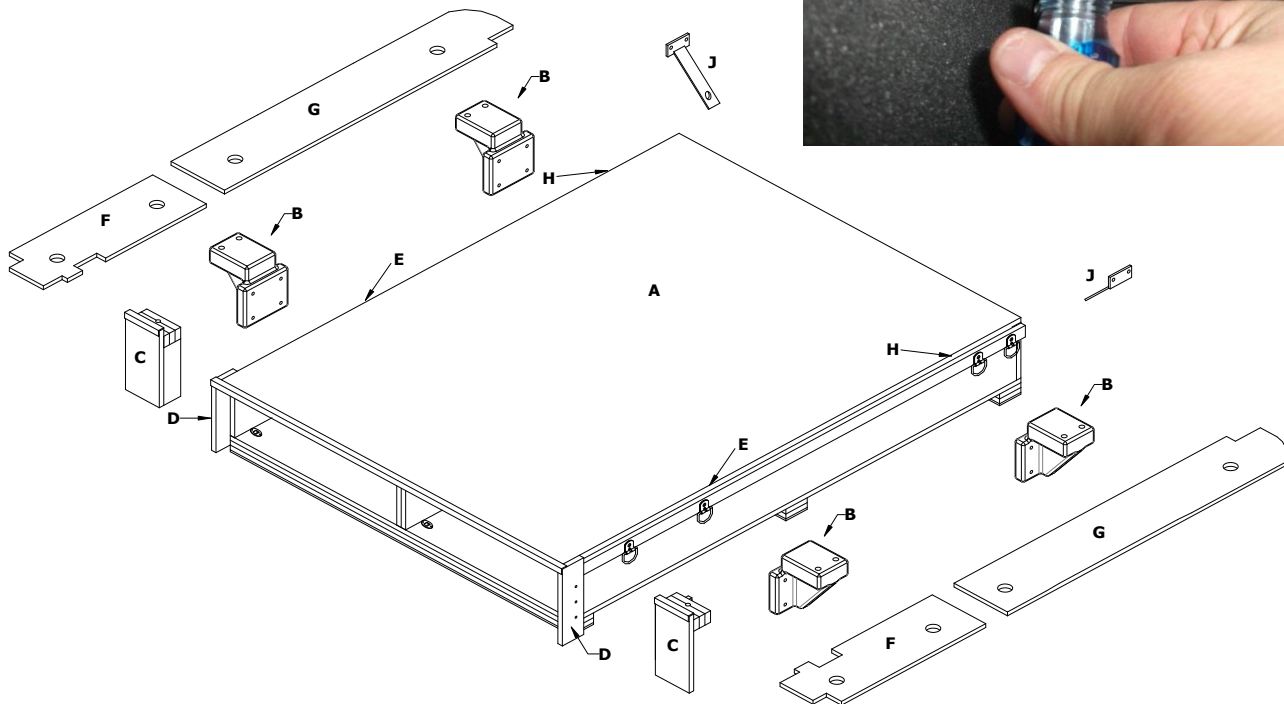
Materials Included:

4 - Gussets with screws
2 - Faceplates with screws
4 - 10 1/2" Turnbuckles 040.0042
2 - Rear Lockdown brackets 201.013.08

Personnel Required: Two (2) people

Congratulations! You now own the finest secure cargo bed storage system on today's market. Enjoy the confidence you'll experience when traveling with your valuables safely locked in your TruckVault.

1. Open the TruckVault drawers just far enough to reach in and unscrew the rubber stoppers attached to the underside of the top. Now completely remove the drawers and set aside. Parts in left drawer are for the left side and parts in right drawer are for the right side.



2. Remove factory Tie down rings at cab end of pickup bed. Install supplied lockdown brackets (J) using the factory bolts.
3. Carefully slide drawer box (A) into the cargo area of your vehicle.
4. Attach the gussets (B) to the sides through the pre-drilled holes with the screws provided.
5. Attach faceplates (C) to side pieces (D) with the screws provided through the pre-drilled holes. Set lids (F) and wings (G) in place and push pegs into holes in faceplates and gussets. Center the Vault side to side in the pickup bed.
6. Remove the lids and wings. Hook two turnbuckles to the front tie down rings of the pickup bed and the front D-rings (E) on the sides of the Vault. Hook the remaining turnbuckles to brackets (J) and to the rear D-rings (H). Tighten the turnbuckles snugly by hand then turn 1 time with the 5/8" wrench. Tighten the jam nut on the turnbuckle with the 9/16" wrench.
7. Set lids (F) and wings (G) in place and push pegs into holes in faceplates and gussets.
8. Reinstall drawers and rubber stoppers by reversing the procedure in step 1.