

INSTALLATION INSTRUCTIONS

Silverado Pickup
T-CHSILM2-07S-PW

TruckVault Inc
(800) 967-8107
www.truckvault.com

TRUCKVAULT

Tools Required:

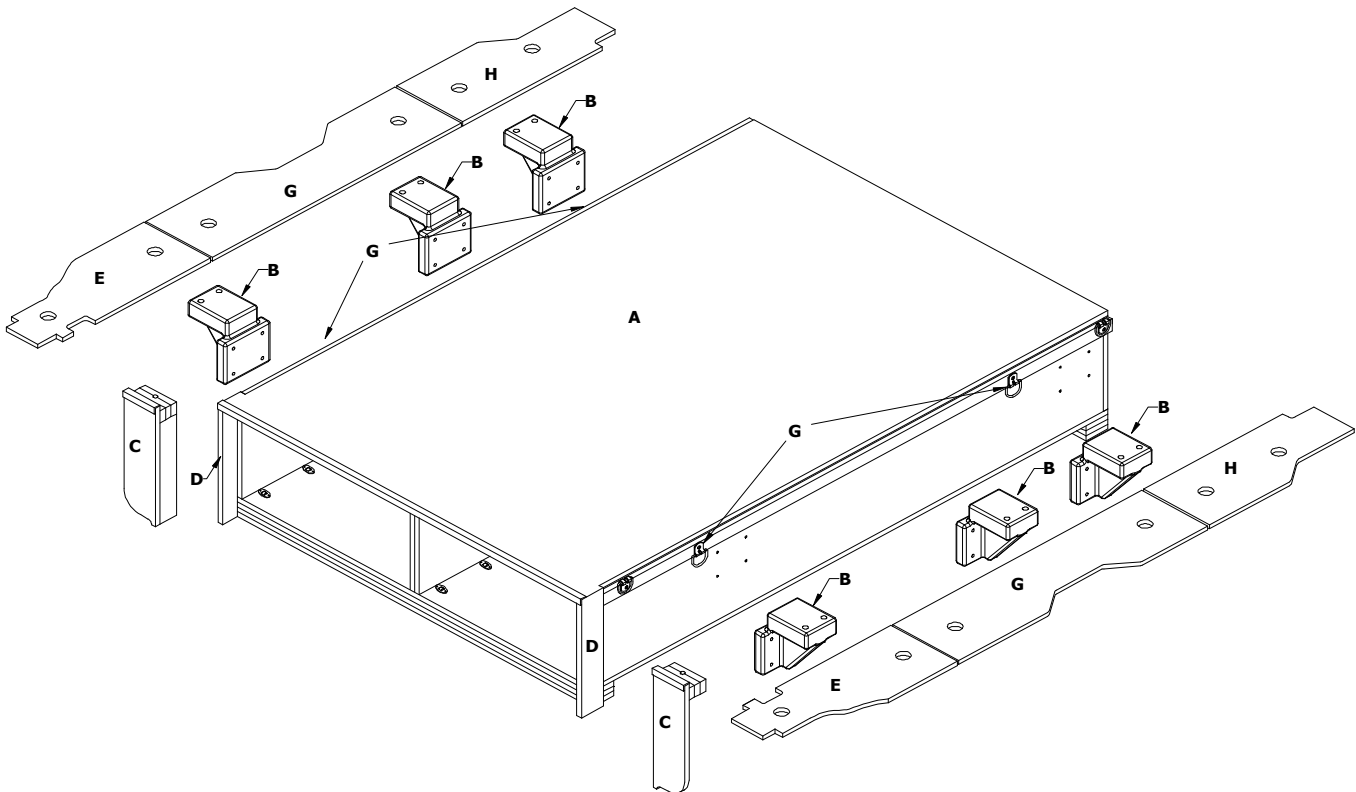
Short Phillips screwdriver
5/8" Wrench
9/16" Wrench

Materials Included:

4 - 10 1/2" Turnbuckles
6 - Gussets with screws & rubber washers
2 - Faceplates with screws & rubber washers

Personnel Required: Two (2) people

Congratulations! You now own the finest secure cargo bed storage system on today's market. Enjoy the confidence you'll experience when traveling with your valuables safely locked in your TruckVault.



1. Open the TruckVault drawers just far enough to reach in and unscrew the rubber stoppers from the top of the box. Now completely remove the drawers and set aside.
2. Carefully slide Vault (A) into the cargo area of your vehicle.
3. Now attach the gussets (B) to the sides of the drawer box through the pre-drilled holes with the screws & rubber washers provided.
4. Attach faceplates (C) to ledgers (D) with the screws & rubber washers provided through the pre-drilled holes.
5. Hook the turnbuckles in the D-rings (G) on the sides of the drawer box and the tie down loops in the vehicle. Tighten snugly by hand only. Tighten the jam nut located on the turnbuckle with the wrenches. Set the lids and wings (E,G,H) in place.
6. Reinstall drawers and rubber stoppers by reversing the procedure in step 1.