

Congratulations! You now own the finest secure cargo bed storage system on today's market. Enjoy the confidence you'll experience when traveling with your valuables safely locked in your TruckVault.

Installation Instructions:

Ford Taurus

Tools Required:

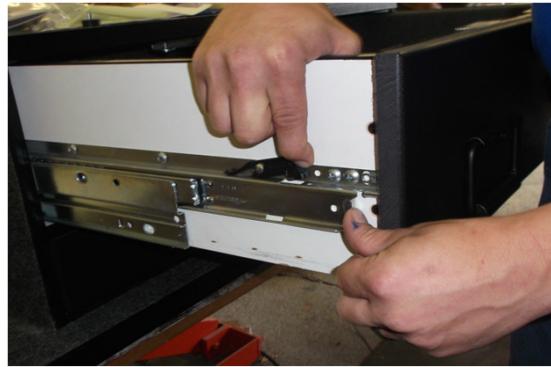
Small phillips screw driver
 Power drill/Driver (Impact is preferred)
 9/16" Open end wrench
 7/16" socket/ratchet
 1/2" drill bit
 1/8" drill bit

Materials Included:

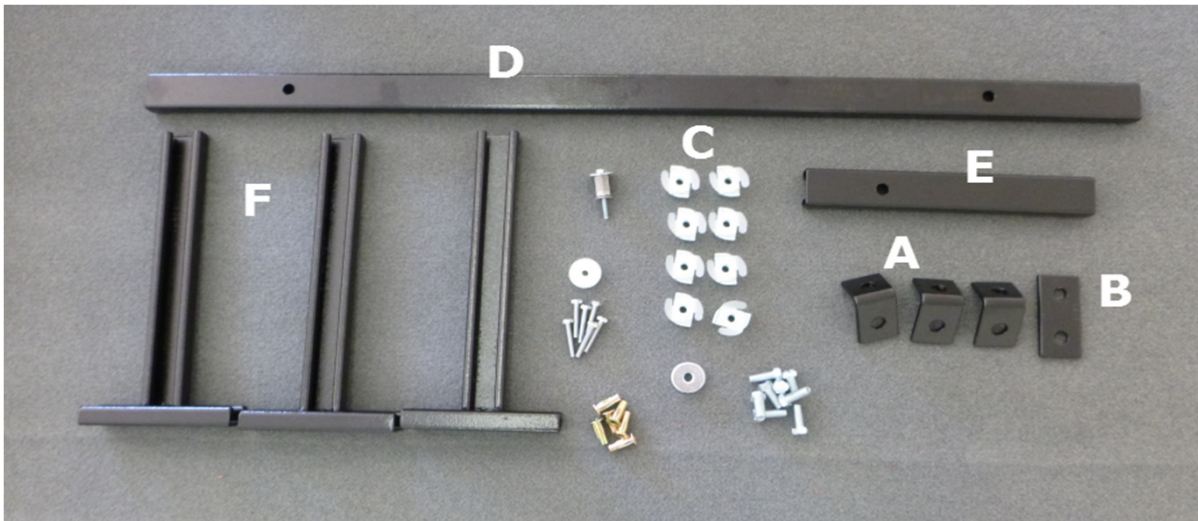
3 - L-brackets (A) 040.0212	1 - 40" support (D)
1 - Flat bracket (B) 040.0211	1 - 11 1/4" support (E)
8 - Channel nuts (C) 040.0214	3 - Legs (F)
3 - 1/4-20 x 5/8" Hex Bolts 030.0525	
3 - 1/4" lock washers 030.0097	
3 - 1/4 x 1" Fender washer 030.0505	
8 - 3/8 x 1" Hex bolts 030.0060	
8 - 3/8 x 1" Fender washer	
1 - Plus nut tool, 2" bolt, & 5/16" x 1 1/4" Fender Washer	
6 - 5/16" Plus Nuts	
6 - 5/16 x 1 1/4" Hex bolts 030.0129	
6 - 5/16 x 1 1/4" Fender washer 030.0500	

Personnel Required: Two (2) people

- 1 Remove the four screws from the anti break-in bracket attached to the underside of the top of the Trunkvault. Open the Trunkvault drawer far enough to expose the black slide locks on each side. Lift up on the black slide lock release tabs on the side of the drawer. Pull the drawer completely out.

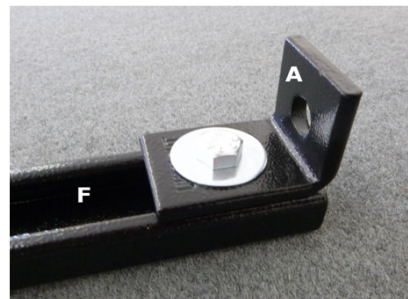


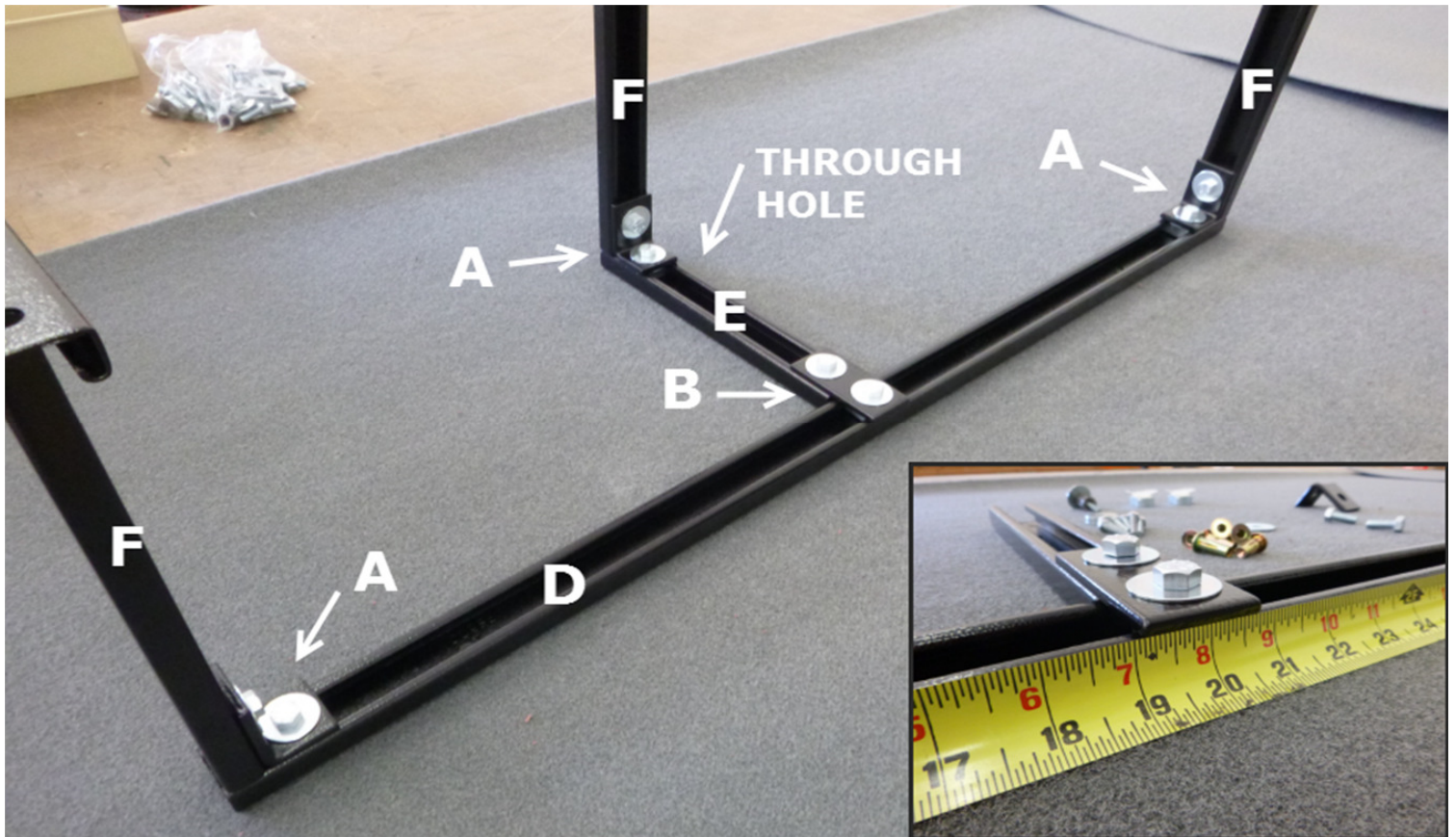
- 3 Assemble Mounting frame. See the drawing below to build the mounting frame before placing it in the vehicle.



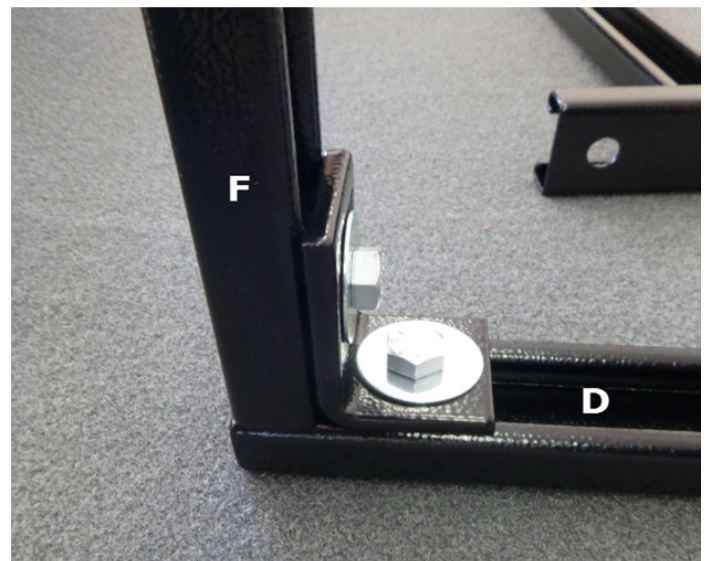
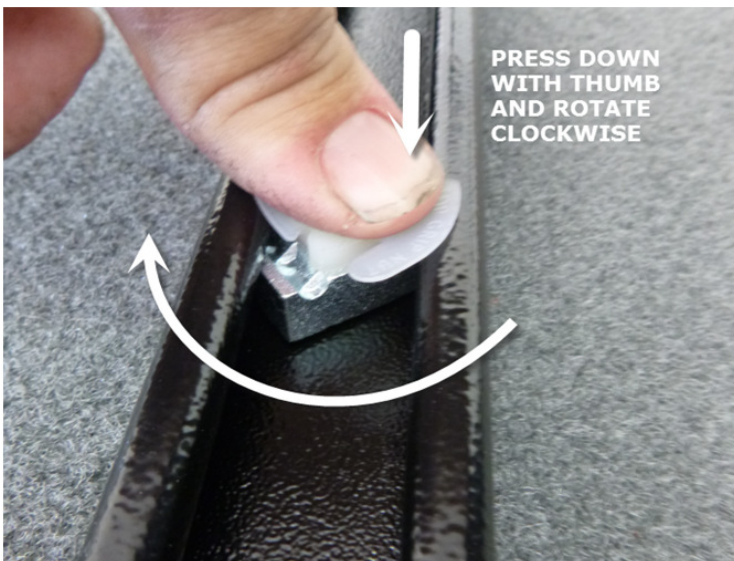
- 4 Slide the Channel nuts (C) into the frame of the legs (F). The plastic part of the nut sits on top of the channel.

- 5 Use the 3/8" bolts and 3/8 x 1 1/4" fender washers to attach the brackets to the channel nuts. Align the top edge of the bracket (A) with the top edge of legs (F).

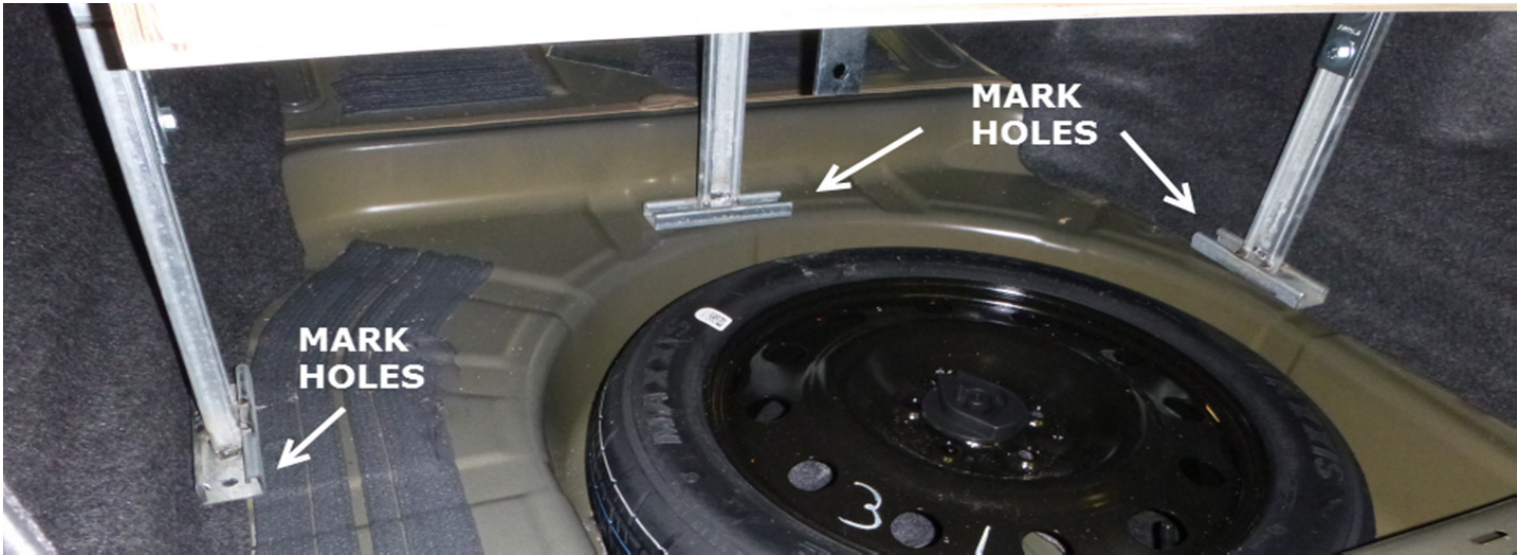




- 6 Assemble the TruckVault bracket upside down. Attach 2 legs (F) to the support (D), one on each end.
- 7 Attach the back Leg (F) to the back support (E). Be sure the through hole is toward the back of the bracket.
- 8 Attach the front support (D) to the back support (E) with the flat bracket (B). Tighten all bolts snug. Leave a little loose for final adjustments. Be sure the back support is centered (see picture above) on the front support (D).
- 9 Note: you can slide the channel nuts into the channel from the end or insert them in the middle of the channel and using your thumb; spin the channel nut to lock into place.

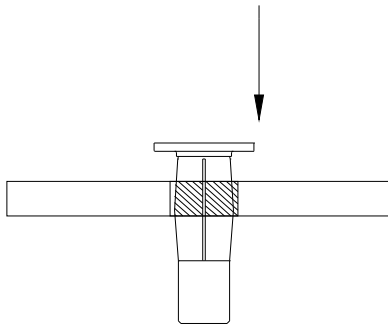


- 10 Remove the spare tire cover from the trunk of the vehicle. Install the bracket assembly into the trunk of the vehicle. Place the back leg on the floor of the trunk at the back lip above the spare tire well.

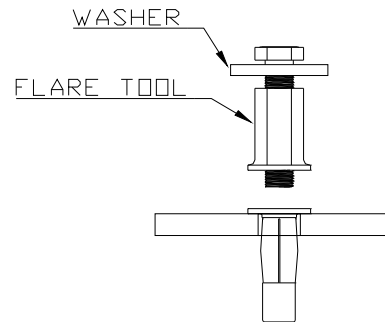


- 11 Carefully place the Vault on the bracket assembly. Look underneath and align the holes in the bottom of the Vault with the holes in the bracket. Position the Vault and bracket assembly to be square in the trunk so the drawer will pull out straight.
- 12 With a pen mark the hole locations in the bottom of the legs (F). Remove the TruckVault and bracket assembly.
- 13 Drill a 1/2" hole at the location marked in the floor of the vehicle. Carefully check underneath the vehicle to make sure there is nothing below these holes, such as wiring, gas tank, spare tire, etc.

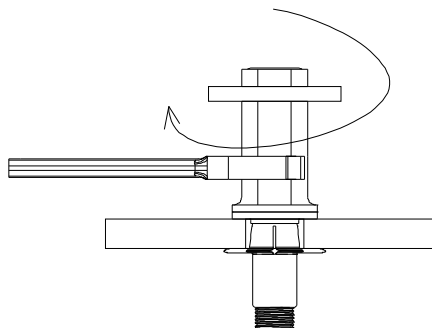
- 14 Insert Plus-Nut in the 1/2" drilled hole



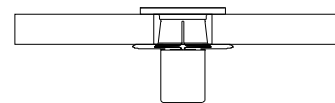
- 15 Attach washer & flare tool onto 2" bolt and thread into Plus-Nut



- 16 Hold flare tool with 9/16" wrench. Tighten bolt with impact wrench to collapse insert.



- 17 Remove bolt, washer, and flare tool



- 18 Re-Install the bracket assembly using the 5/16" x 1 1/2" hex bolts & 5/16" fender washer. Tighten all bolts to the floor of the trunk area.



- 19 Install the TruckVault onto the bracket assembly. Align the holes on the bottom of the Vault and the holes in the top of the bracket. Install the 1/4-20 X 5/8" Hex bolts, 1/4" lock washer & 1/4" x 1 1/4" fender washers through the top of the bracket and into the bottom of the Vault. You may need to loosen the connecting bracket bolts to help align the bolts to the Vault. Tighten all bolts when Vault is secured to the bracket.
- 20 Replace the spare tire cover into the trunk. You may have to trim the cover to fit around the brackets.
- 21 Reinstall drawer & anti break-in brackets by reverseing the procedure in step 1.